

# EPSRC Grand Challenge: Self-repairing Cities



UNIVERSITY OF LEEDS



**ZERO DISRUPTION FROM STREETWORKS BY 2050**

Prof Robert Richardson. University of Leeds.

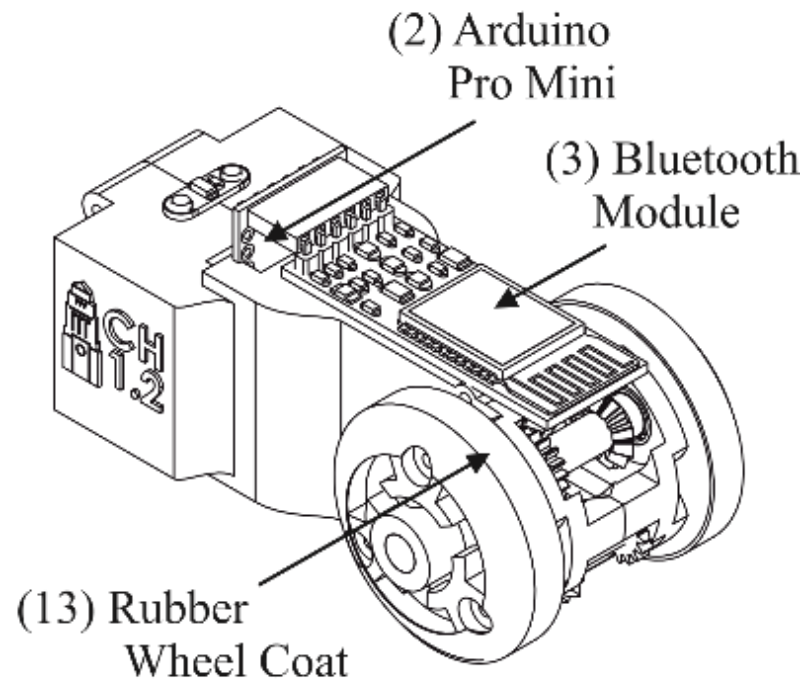
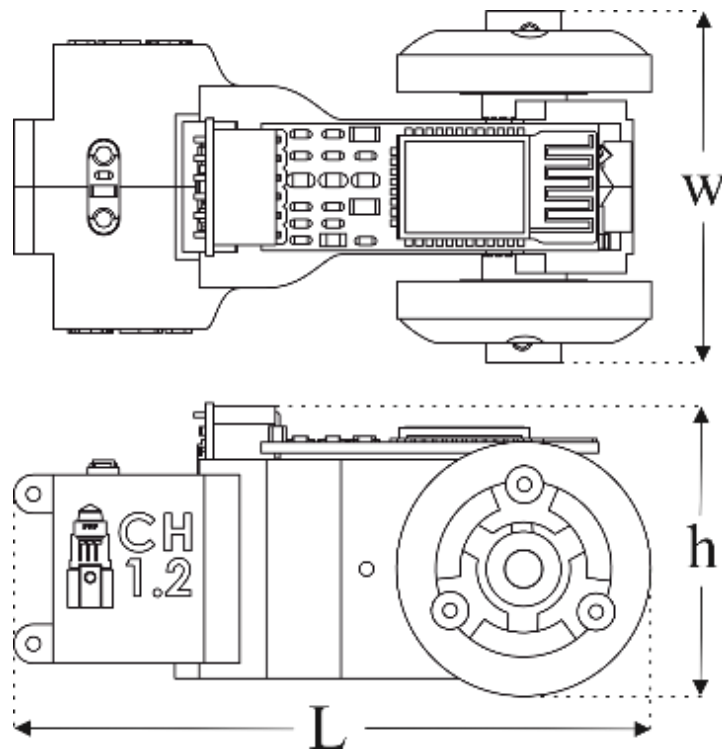
Email: [R.C.Richardson@leeds.ac.uk](mailto:R.C.Richardson@leeds.ac.uk)

Twitter: @Rob8Richardson

# EPSRC Grand Challenge: Self-repairing Cities



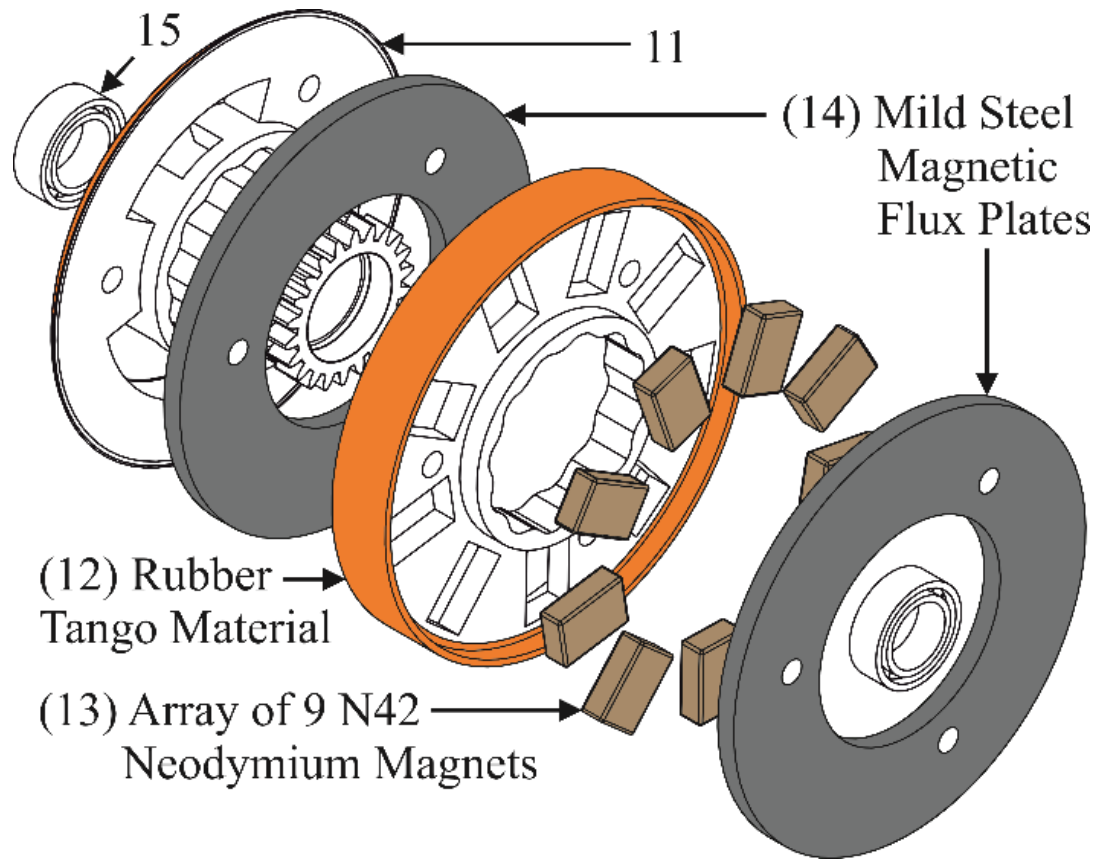
UNIVERSITY OF LEEDS



# EPSRC Grand Challenge: Self-repairing Cities



UNIVERSITY OF LEEDS

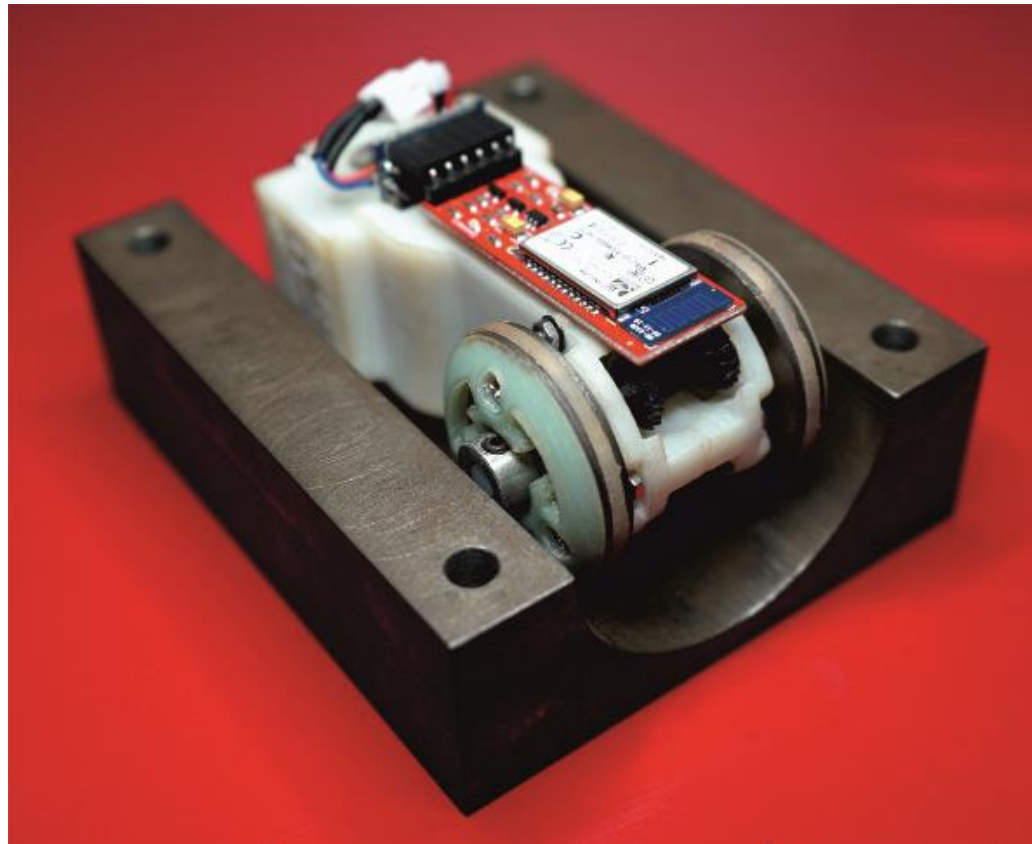




# EPSRC Grand Challenge: Self-repairing Cities



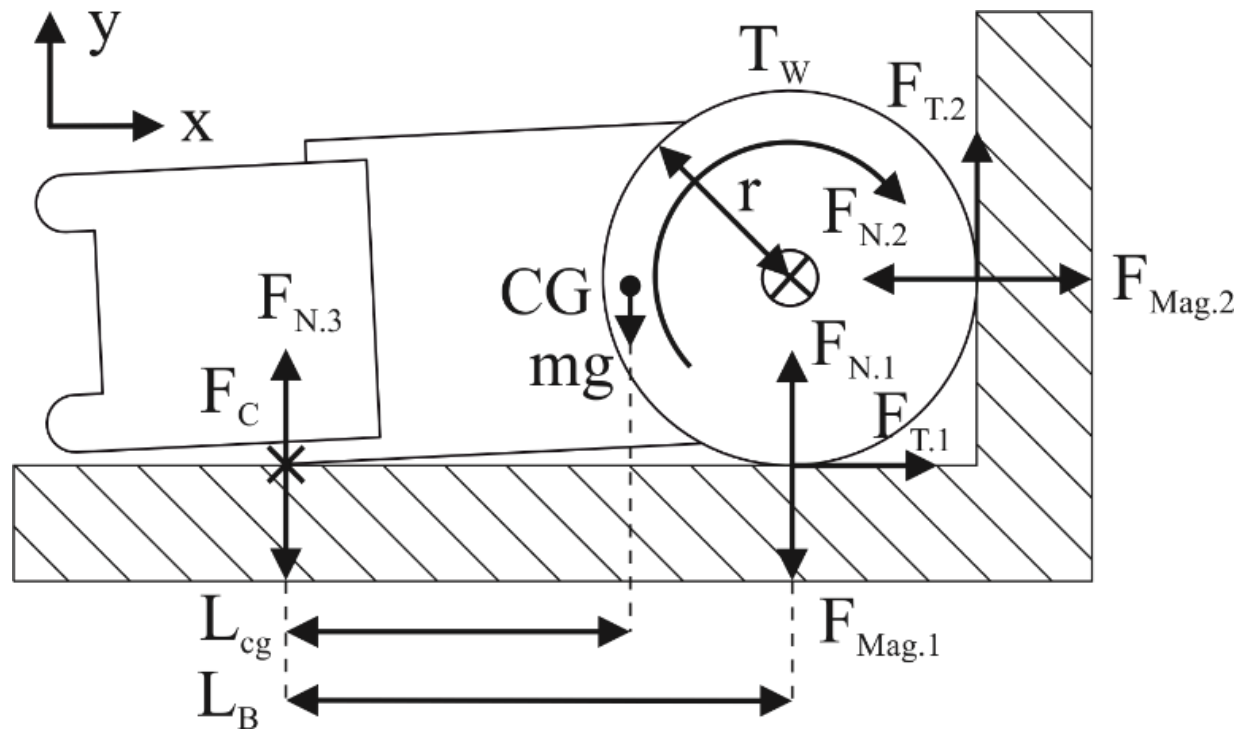
UNIVERSITY OF LEEDS



# EPSRC Grand Challenge: Self-repairing Cities



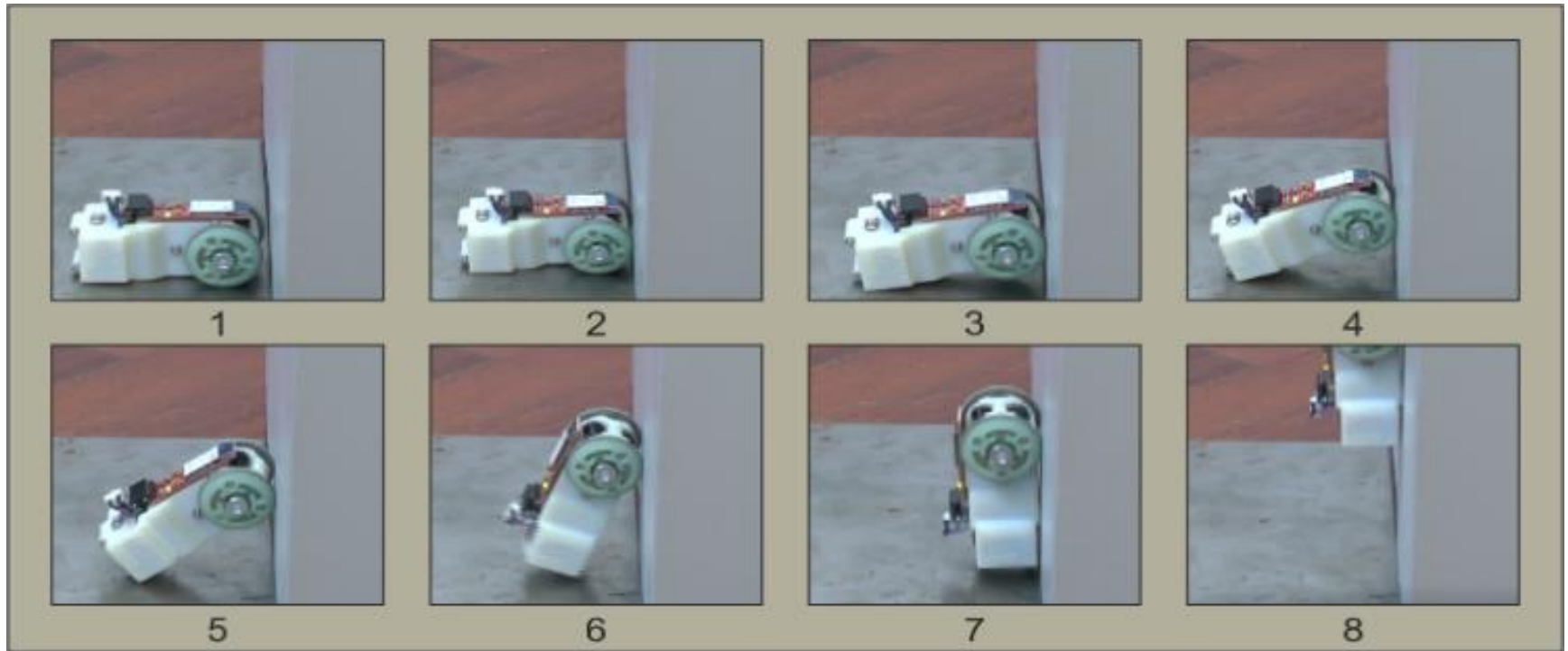
UNIVERSITY OF LEEDS



# EPSRC Grand Challenge: Self-repairing Cities



UNIVERSITY OF LEEDS





# EPSRC Grand Challenge: Self-repairing Cities



UNIVERSITY OF LEEDS



<https://www.youtube.com/watch?v=p4UuHPHbedg>

